



# FS561 *ON-HIGHWAY ALL-POSITION* Steer Radial

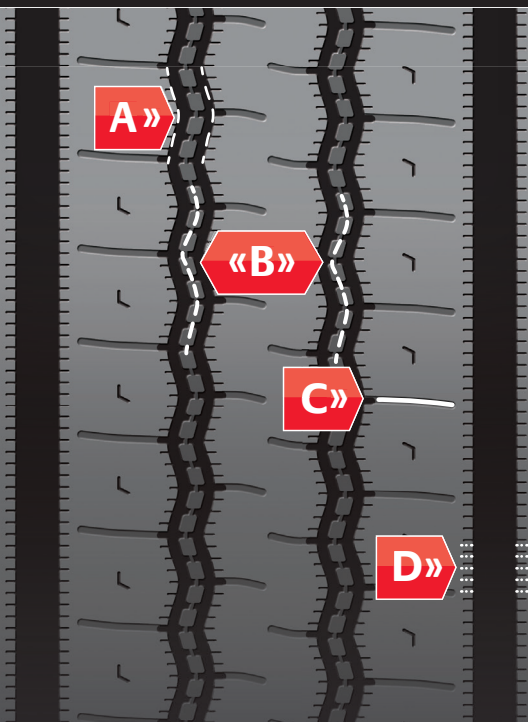


**ALWAYS UP TO THE TASK, LIKE YOU**  
Both regional and pickup and delivery truck drivers know the importance of having tough tires built for high-scrub service. The all-position Firestone FS561 is designed for steer applications that navigate these demanding conditions. Features such as a special tread compound and solid shoulder ribs enhance casing protection, extending overall tire life, giving the FS561 staying power in environments where stone drilling and rib tearing are regular occurrences.

**DRIVE A FIRESTONE**

**Firestone**

## FS561 INNOVATIONS



**A**

### SPECIALIZED GROOVE SHAPE

Designed to better resist rib tearing.

**B**

### STONE REJECTORS IN CENTER GROOVES

Help provide resistance to stone drilling and protect belts for enhanced casing durability.

**C**

### RIB SIPES

Cut through water for solid wet traction.

**D**

### STRESS RELIEF SIPES

Fight irregular wear by absorbing rib edge stresses in the footprint for long, even wear.



### TREAD CAP COMPOUND AND SOLID SHOULDER RIBS

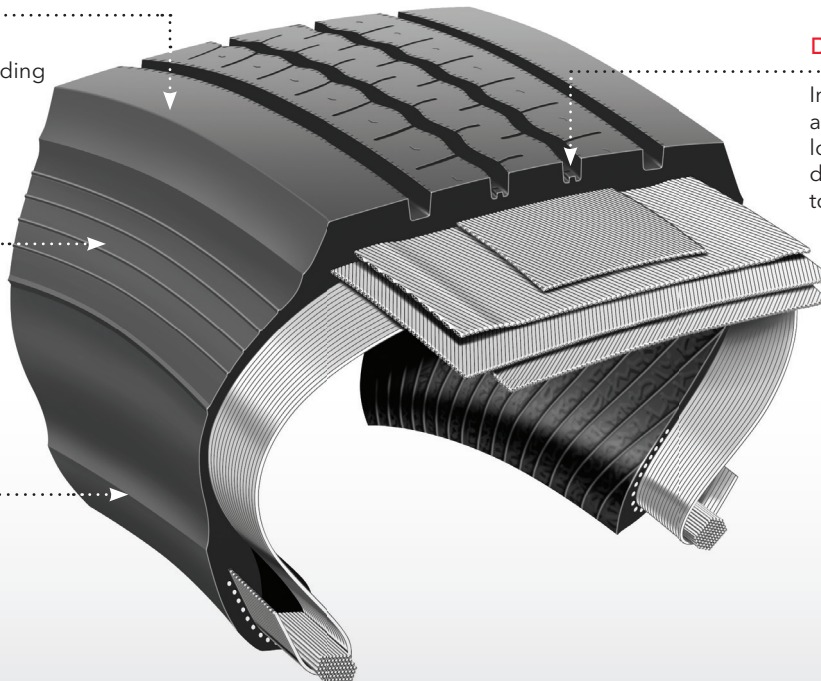
Enhance resistance to maneuvering scrub, leading to increased tread life.

### SIDEWALL PROTECTOR RIBS

Help protect the casing from cuts, snags and abrasions due to curbing and impacts.

### INNOVATIVE SIDEWALL DESIGN

Reduces overall weight to improve fuel efficiency without sacrificing durability.



### DEEP, WIDE TREAD

Increases original tread life and the wide footprint spreads load over a larger area, distributing footprint pressure to promote long, even wear.

Tire Sizes	Load Range	Material #	Weight (Lbs/kg) <sup>†</sup>	Meas. Rim (in.)	Overall Diameter (in./mm)	Overall Width (in./mm)	Overall Width Loaded (in./mm)	Static Loaded Radius (in./mm)	Revolutions per Mile/km	Tread Depth (32"/mm)	MAX TIRE LOAD		Max Speed (mph/kph)
											Single Lbs@PSI/kg@kPa	Dual Lbs@PSI/kg@kPa	
295/75R22.5 metric	G	248273	111/50	8.25	40.4/1026	10.9/277	12.0/305	18.9/480	514/319	21/17	6175@110/2800@760	5675@110/2575@760	75/120
285/75R24.5 metric	G	248290	121/55	8.25	41.5/1054	10.9/277	12.0/305	19.5/495	501/311	21/17	6175@110/2800@760	5675@110/2575@760	75/120
275/70R22.5 metric	J	248545	99/45	8.25	38.1 <sup>†</sup> /968 <sup>†</sup>	11.5 <sup>†</sup> /292 <sup>†</sup>	12.7 <sup>†</sup> /323 <sup>†</sup>	17.9 <sup>†</sup> /455 <sup>†</sup>	545 <sup>†</sup> /339 <sup>†</sup>	21/17	6940@130/3150@900	6395@130/2900@900	75/120
255/70R22.5 metric	H	248528	93/42	8.25	36.8/935	10.4/264	11.4/290	17.3/439	565/351	21/17	5510@120/2510@830	5070@120/2300@830	75/120
9R22.5 metric	F	248562	90/41	6.75	38.4 <sup>†</sup> /975 <sup>†</sup>	9.0 <sup>†</sup> /229 <sup>†</sup>	9.9 <sup>†</sup> /251 <sup>†</sup>	18.0 <sup>†</sup> /457 <sup>†</sup>	541 <sup>†</sup> /336 <sup>†</sup>	19/15	4540@105/2060@720	4300@105/1950@720	75/120
10R22.5 metric	F	248579	109/49	7.50	40.2 <sup>†</sup> /1021 <sup>†</sup>	9.9 <sup>†</sup> /251 <sup>†</sup>	10.9 <sup>†</sup> /277 <sup>†</sup>	18.8 <sup>†</sup> /478 <sup>†</sup>	517 <sup>†</sup> /321 <sup>†</sup>	20/16	5205@100/2360@690	4940@100/2240@690	75/120
10R22.5 metric	G	248596	109/49	7.50	40.2 <sup>†</sup> /1021 <sup>†</sup>	9.9 <sup>†</sup> /251 <sup>†</sup>	10.9 <sup>†</sup> /277 <sup>†</sup>	18.8 <sup>†</sup> /478 <sup>†</sup>	517 <sup>†</sup> /321 <sup>†</sup>	20/16	5675@115/2575@790	5355@115/2430@790	75/120
11R22.5 metric	G	248307	114/52	8.25	41.5/1054	10.9/277	12.0/305	19.3/490	501/311	21/17	6175@105/2800@720	5840@105/2650@720	75/120
11R22.5 metric	H	248324	114/52	8.25	41.5/1054	10.9/277	12.0/305	19.3/490	501/311	21/17	6610@120/3000@830	6005@120/2725@830	75/120
11R24.5 metric	G	248358	120/54	8.25	43.6/1107	10.9/277	12.0/305	20.4/518	477/296	21/17	6610@105/3000@720	6005@105/2725@720	75/120
11R24.5 metric	H	248375	120/54	8.25	43.6/1107	10.9/277	12.0/305	20.4/518	477/296	21/17	7160@120/3250@830	6610@120/3000@830	75/120
12R22.5 metric	H	248494	139/63	9.00	42.7 <sup>†</sup> /1085 <sup>†</sup>	11.6 <sup>†</sup> /295 <sup>†</sup>	12.8 <sup>†</sup> /325 <sup>†</sup>	19.8 <sup>†</sup> /503 <sup>†</sup>	487 <sup>†</sup> /303 <sup>†</sup>	21/17	7390@120/3350@830	6780@120/3075@830	75/120

Warranty and limitation information is available at [FirestoneTruckTires.com](http://FirestoneTruckTires.com) or from your dealer or truck stop.

<sup>†</sup>Estimated, subject to change.

Driven by innovation for more than 100 years, Firestone has a tire that's right for you and your business. See why we like to say that those with passion, those with ambition and those with drive ... Drive a Firestone.